



Power over the Ethernet

NetWay1BT

Single Port 802.3bt (90W) Injector for
Standard and Enhanced Power Network Infrastructure

Installation Guide



Rev. 020920

More than just power.™

Installing Company: _____ Service Rep. Name: _____

Address: _____ Phone #: _____

Overview:

Altronix NetWay1BT Single Port Midspan Injector provides 802.3bt (90W) power and passes data for PoE compliant device. PoE device may be located up to 100m from the unit.

Specifications:

Agency Listings:

- CE European Conformity.

Input:

- 115VAC, 60Hz, 1.2A or 230VAC, 50/60Hz, 0.75A.

Power Output:

- Maximum power: 90W
- Power provided using all 4 pairs on structured cable.
- IEEE 802.3af (15W), IEEE 802.3at (30W) or 802.3bt (90W) compliant.
- Aux. Class 2 power-limited output rated @ 56VDC/90W.
- Integral surge protection.

Ethernet:

- Connectivity: RJ45.
- Wire type: 4-pair Cat-5 or higher structured cable.
- Distance: up to 100m.
- Speed: 10/100/1000Mbps, half/full duplex, auto negotiation.

Environmental:

- Operating Temperature:
30W: – 30°C to 75°C (– 22°F to 167°F).
60W: – 30°C to 70°C (– 22°F to 158°F).
90W: – 30°C to 55°C (– 22°F to 131°F).
- Storage Temperature:
– 30°C to 85°C (– 22°F to 185°F).
- Humidity: 20 to 85%, non-condensing.

Applications:

- Provides PoE/PoE+ and Hi-PoE for cameras/devices.

Mechanical:

- Unit can be shelf mounted.
- Enclosure Dimensions (H x W x D approx.):
1.7" x 4.1" x 7.2" (44mm x 105mm x 183mm).
- Product weight (approx.): 2.2 lb. (1.0 kg).
- Shipping weight (approx.): 3.2 lb. (1.45 kg).

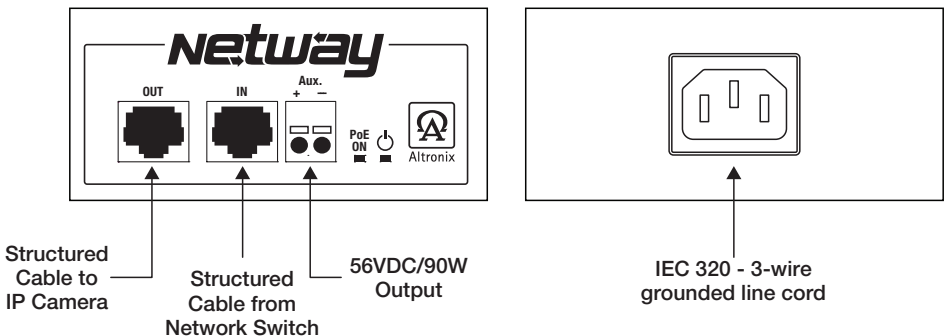
Installation Instructions:

Wiring methods shall be in accordance with the National Electrical Code/NFPA 70/ANSI, and with all local codes and authorities having jurisdiction. Wiring should be UL Listed and/or Recognized wire suitable for the application. NetWay1BT is intended for indoor use only.

1. Place NetWay1BT in desired location on table or desktop only.
2. Plug the grounded AC line cord (included) into the IEC 320 connector of the NetWay1BT unit. Plug unit into a reliable earth grounded socket. When using multiple units the sum of the individual name plate ratings should not exceed the supply circuit rating. **Do not connect to a receptacle controlled by a switch.**
3. Connect structured cable from UL Listed ethernet switch or video server to RJ45 jack marked [IN] on NetWay1BT (Fig. 1).
4. Connect structured cable from PoE device to RJ45 jack marked [OUT] on NetWay1BT (Fig. 1).
5. PoE ON LED will illuminate indicating PoE device is turned on (Fig. 1).
6. Connect device to be powered to terminals marked [+ Aux. -].

Note: Do not exceed 90W.

Fig. 1



Technical Specifications:

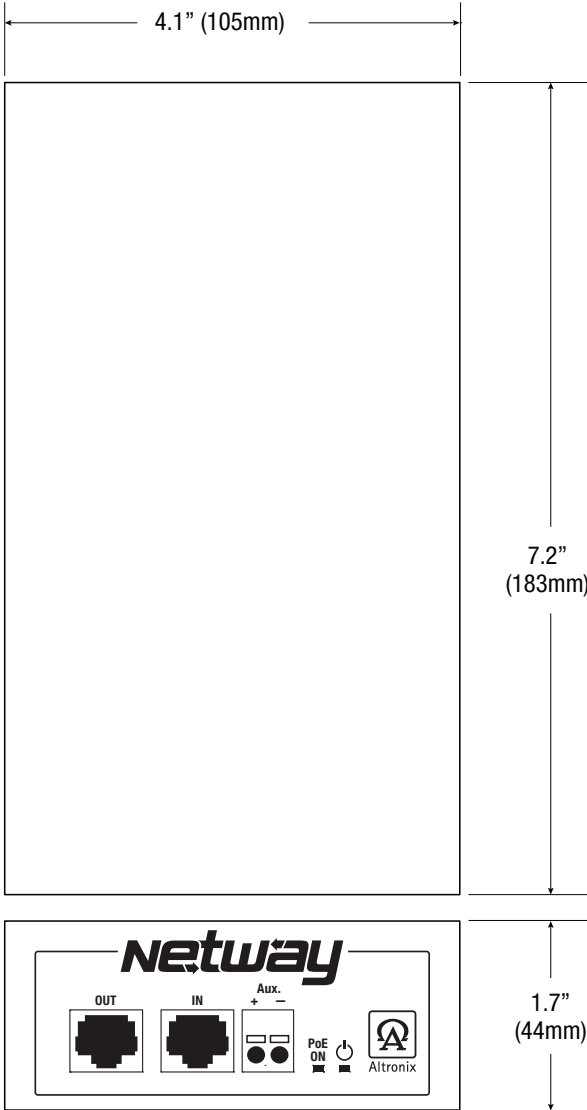
Parameter	Description
No. of Ports	One (1) IEEE 802.3at (30W), IEEE 802.3af (15W) and 802.3bt (90W) compliant
Input Power Requirements	115VAC, 60Hz, 1.2A or 230VAC, 50/60Hz, 0.75A.
Indicators	Port Status and Power LED.
+ Aux. –	Class 2 power-limited output rated @ 56VDC/90W.
Environmental Conditions	Operating Temperature: 30W: – 30°C to 75°C (– 22°F to 167°F). 60W: – 30°C to 70°C (– 22°F to 158°F). 90W: – 30°C to 55°C (– 22°F to 131°F). Relative humidity: 85%, +/- 5%, non-condensing. Storage Temperature: – 20° to 70°C (– 4° to 158°F). Operating Altitude: – 304.8m to 609.6m.
Regulatory Compliance	CE European Conformity.

NetWay1BT Chassis Mechanical Drawing and Dimensions

(H x W x D approx.):

1.7" x 4.1" x 7.2" (44mm x 105mm x 183mm)

Fig. 2



Altronix is not responsible for any typographical errors.

140 58th Street, Brooklyn, New York 11220 USA | 718-567-8181 | fax: 718-567-9056
website: www.altronix.com | e-mail: info@altronix.com | Lifetime Warranty
IINetWay1BT H19U

