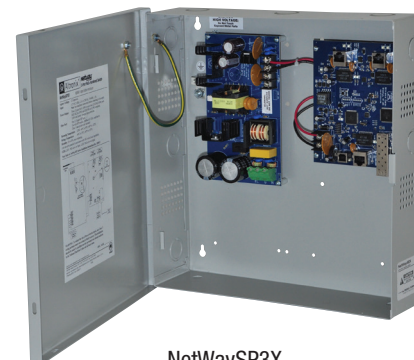


## NetWaySP3X

### 3-port Hardened PoE Switch with Integral Power



Altronix NetWaySP3X PoE+ Hardened Switch provides a 1Gb SFP port and two (2) 60W ports and a single 30W port. Cameras/edge devices may be located up to 100m from the unit. Embedded LINQ Technology allows you to monitor, control, and report power and diagnostics from anywhere.



NetWaySP3X

#### Key Features

- One (1) Gigabit SFP port
- 120W total power:
  - Two (2) 60W ports (PoE/PoE+ / Hi-PoE)
  - One (1) 30W port (PoE/PoE+)
- 10/100/1000 Mbps each port
- IEEE 802.3at (30W), IEEE 802.3af (15W) compliant, or Hi-PoE (60W)
- PoE activity LED indicators
- Built-in charger for sealed lead acid or gel type batteries
- Automatic switch over to stand-by battery when AC fails
- UL Listed in the U.S. and Canada
- CE European Conformity
- Lifetime Warranty

#### Similar products

<b>NetWaySP3WPX</b>	Outdoor 4-port PoE+ Hardened Switch in NEMA 4/4X, IP66-11 enclosure which accommodates stand-by batteries
<b>NetWaySP3WP</b>	Outdoor 4-port PoE+ Hardened Switch in NEMA 4/4X, IP66-11 enclosure
<b>NetWaySP3WPN</b>	Outdoor 4-port PoE+ Hardened Switch only in NEMA 4/4X, IP66-11 enclosure
<b>NetWaySP3PL</b>	4-port PoE+ Hardened Switch with Integral Power on a Backplane
<b>NetWaySP3B</b>	4-port PoE+ Hardened Switch (board only)

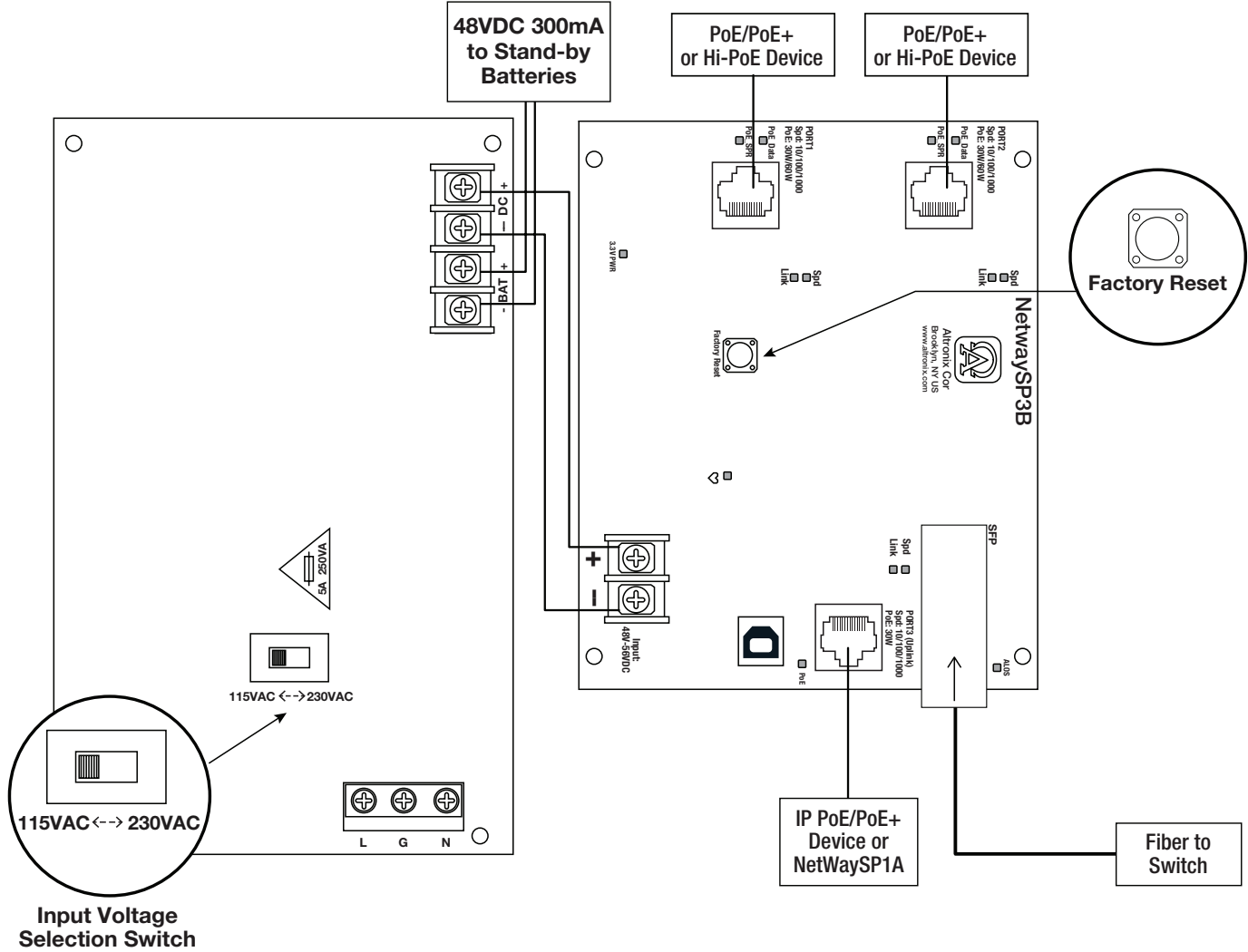
#### Lifetime Warranty

# NetWaySP3X

3-port Hardened PoE Switch with Integral Power



## Typical Application



### Lifetime Warranty

# NetWaySP3X

3-port Hardened PoE Switch with Integral Power



## Specifications

### Input

Voltage 115VAC, 60Hz, 2.5A or 230VAC, 50/60Hz, 1.3A  
Fusing 5A/250V

### Power Output

Maximum Power 120W total power:  
Two (2) 60W ports (PoE/PoE+ / Hi-PoE)  
One (1) 30W port (PoE/PoE+)  
10/100/1000 Mbps each port  
IEEE 802.3at (30W), IEEE 802.3af (15W)  
compliant, or Hi-PoE (60W).  
Integral surge protection.

### Fiber Ports:

One (1) Gigabit SFP port

### Ethernet Ports:

Three (3) 10/100/1000 Mbps ports  
Connectivity: RJ45, auto-crossover.  
Wire type: 4-pair CAT5 or better structured cable  
Distance: up to 100m  
Speed: 10/100/1000 Mbps,  
half/full duplex, auto negotiation

### Back-up Battery (not included)

Type Sealed lead acid or gel type  
Failover Upon AC loss, instantaneous

### Indicators (LED)

Individual PoE On LEDs for each port  
Individual IP Link status, 10/100Base-T/active LEDs for each port  
ALOS LED indicates fiber connection for SFP port  
Heartbeat LED indicates proper operation of the unit

### LINQ Technology:

Remote network management allows for camera/device reset and monitoring  
Provides local and/or remote access to critical information via LAN/WAN  
Email and Windows Dashboard Alert notifications report real-time diagnostics  
Event log tracks history.

### Agency Listings

UL/cUL UL60950-1  
(Information Technology Equipment)  
CE European Conformity

### Physical and Environmental

Enclosure Dimensions (H x W x D approx.):  
13.5" x 13" x 3.25" (342.9mm x 330.2mm x 82.55mm)

### Product Weight / Shipping (approx.)

Product Weight: 6.65 lb. (3.02 kg)  
Shipping Weight: 7.55 lb. (3.42 kg)

### Temperature

Operating: 60W: -40°C to 75°C (-40°F to 167°F)  
75W: -40°C to 70°C (-40°F to 158°F)  
100W: -40°C to 55°C (-40°F to 131°F)  
120W: -40°C to 45°C (-40°F to 113°F)

Storage: -40°C to 85°C (-40°F to 185°F)

Relative Humidity: 85% +/-5%

BTU/Hr. (approx.): 61 BTU/Hr.

Operating Altitude: -304.8 to 2,000m

## Accessories (order separately)



### SFP Modules - Hot pluggable Transceivers

**P1MM** Multi-Mode SFP Module for distances up to 550m  
**P1SM10** Single-Mode SFP Module for distances up to 10km  
**P1AB2K** Single Strand SFP Module for distances up to 2km  
**P1GCE** Copper SFP Module for distances up to 100m



### NetWaySP1A

Ethernet over Fiber Media Converter/Repeater for applications requiring an additional SFP (Fiber) Port  
NetWaySP1A PoE powered media converter/repeater converts 10/100/1000 Mbps to Fiber (1000Base-X/SX/LX).

### Lifetime Warranty