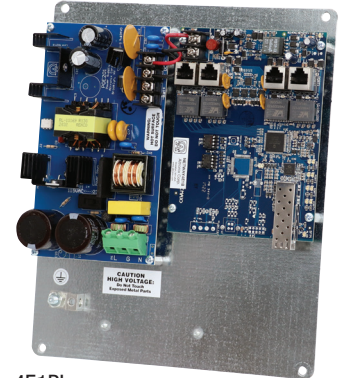


NetWay4E1PL

4-port PoE+ Switch

Altronix NetWay4E1PL PoE+ Switch provides a 1Gb SFP port and four (4) PoE+ (30W) ports. Cameras/edge devices may be located up to 100m from the unit.



NetWay4E1PL

Key Features

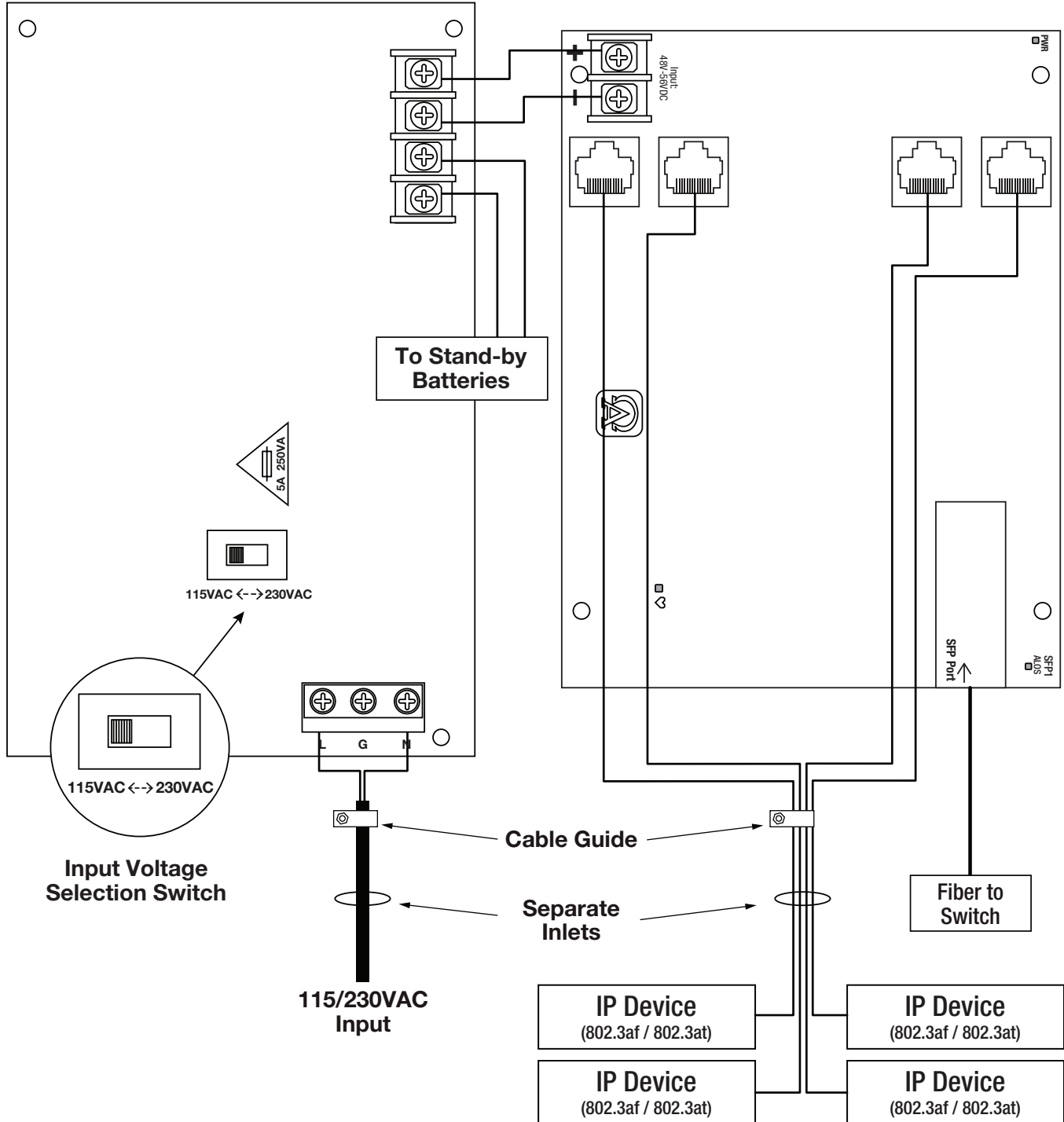
- Four (4) 10/100/1000 Mbps PoE/PoE+ (up to 30W) ports
- IEEE 802.3af (15W) and IEEE 802.3at (30W) compliant
- One (1) Gigabit (Fiber) SFP port
- PoE activity LED indicators
- Built-in charger for sealed lead acid or gel type batteries
- Automatic switch over to stand-by battery when AC fails
- CE European Conformity
- Lifetime Warranty

Similar products

NetWay4E1WPX	Outdoor 4-port PoE+ Hardened Switch in NEMA 4/4X, IP66-11 enclosure which accommodates stand-by batteries
NetWay4E1WP	Outdoor 4-port PoE+ Hardened Switch in NEMA 4/4X, IP66-11 enclosure
NetWay4E1WPN	Outdoor 4-port PoE+ Hardened Switch only in NEMA 4/4X, IP66-11 enclosure
NetWay4E1X	Indoor 4-port PoE+ Hardened Switch in NEMA 1 Rated indoor enclosure
NetWay4E1B	4-port PoE+ Hardened Switch (board only)

Lifetime Warranty

Typical Application



Lifetime Warranty

NetWay4E1PL

4-port PoE+ Switch



Specifications

Input

Voltage 115VAC, 60Hz, 2.5A or 230VAC, 50/60Hz, 1.3A

Power Output

Maximum Power Four (4) 10/100/1000 Mbps PoE/PoE+ (up to 30W) ports IEEE 802.3at (30W) and IEEE 802.3af (15W) compliant 120W total power Integral surge protection

Fiber Port: One (1) Gigabit SFP (Fiber) port

Battery Charging

Type Sealed lead acid or gel type
Failover Upon AC loss, instantaneous
Batteries are sold separately

Indicators (LED)

Individual PoE On LEDs for each port
Individual IP Link status, 10/100Base-T/active LEDs for each port
ALOS LED indicates fiber connection for SFP port
Heartbeat LED indicates proper operation of the unit

Agency Listings

CE European Conformity

Physical and Environmental

Dimensions (H x W x D)

Backplane: 10.75" x 8.875" x 2.375"
(273.1mm x 225.4mm x 60.3mm)
Shipping: 12" x 10" x 8"
(304.8mm x 254mm x 203.2mm)

Weight (approx.)

Product: 2.6 lb. (1.18 kg)
Shipping: 4.0 lb. (1.81 kg)

Temperature

Operating: 60W: -40°C to 75°C (-40°F to 167°F)
75W: -40°C to 70°C (-40°F to 158°F)
100W: -40°C to 55°C (-40°F to 131°F)
120W: -40°C to 45°C (-40°F to 113°F)
Storage: -40°C to 85°C (-40°F to 185°F)

Relative Humidity 85% +/- 5%

BTU/Hr (approx.) 61 BTU/Hr.

Operating Altitude: -304.8 to 2,000m

Accessories (order separately)



SFP Modules - Hot Pluggable Transceivers

P1MM Multi-Mode SFP Module for distances up to 550m
P1SM10 Single-Mode SFP Module for distances up to 10km
P1AB2K Single Strand SFP Module for distances up to 2km
P1GCE Copper SFP Module for distances up to 100m



NetWaySP1A

Ethernet over Fiber Media Converter/Repeater for Applications Requiring an Additional SFP (Fiber) Port

NetWaySP1A PoE powered media converter/repeater converts 10/100/1000 Mbps to Fiber (1000Base-X/SX/LX).

Lifetime Warranty